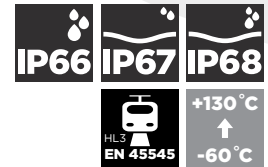
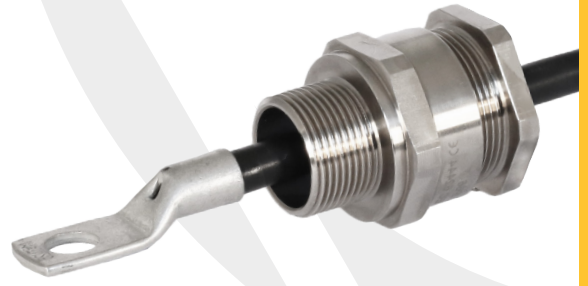


A2-FL

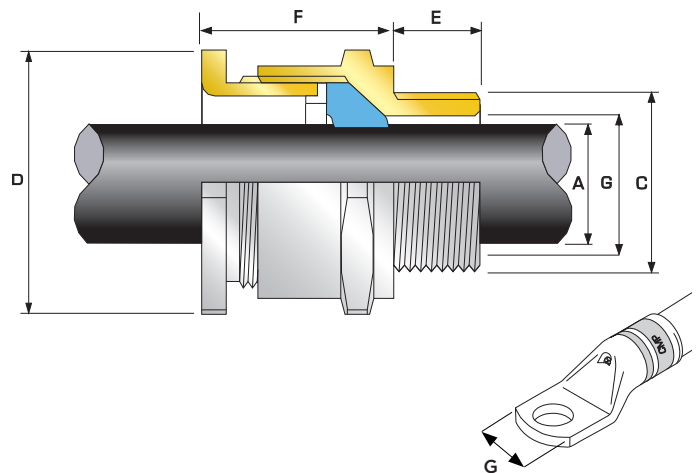
A2-FL CABLE GLAND FOR ROLLING STOCK

FOR ALL TYPES OF UNARMoured CABLES WITH PRE-INSTALLED LUGS

- Designed for cables with pre-installed lugs
- Allows cable to pass through the gland without any disassembly
- Approved to EN 45545-2:2013+A1:2015 R22, R23 (HL1, 2 & 3)
 - For use on rail / rolling stock applications
- High quality durable materials
- Robust, heavy duty design
- Displacement type sealing system
- -60°C to +130°C
- Supplied in nickel plated brass with metric threads, PG threads available



| TECHNICAL CLASSIFICATION | |
|--|--|
| DESIGN SPECIFICATION | IEC 62444: 2010 Ed 1, EN 45545-2: 2013 + A1: 2015, BS EN 61373: 2010 & NFC93400 (IEC 60512-17-4) |
| MECHANICAL CLASSIFICATION* | Impact = Level 7 Cable Anchorage = Class A |
| ENCLOSURE PROTECTION | IK09 to IEC 62262 (10 joules) Brass & Stainless Steel only |
| FIRE PROTECTION ON RAILWAY VEHICLES; COMPLIANCE STANDARD | EN45545-2:2013 + A1:2015 R22, R23 (HL1, HL2 and HL3 Hazard Levels) |
| INGRESS PROTECTION RATING** | IP66, IP67 & IP68*** |
| CABLE GLAND MATERIAL | Brass, Electroless Nickel Plated Brass, Stainless Steel, Aluminium |
| CABLE TYPE | Unarmoured with pre-crimped lug |
| SEAL MATERIAL | CMP LSF0H Thermoset Rubber |
| SEALING TECHNIQUE | CMP Unique Displacement Seal Concept |
| SEALING AREA(S) | Cable Outer Sheath |



* Mechanical & Electrical Classifications applied as per IEC 62444 & EN 62444
 ** When CMP installation accessories are used. Refer to www.cmp-products.com for further information.
 *** IP68 test durations can be provided upon request

PRODUCT SELECTION TABLE WITH STANDARD ENTRY THREADS

| COMBINED ORDERING REFERENCE (NICKEL PLATED BRASS, METRIC THREADS) | | | AVAILABLE ENTRY THREADS 'C' | | | OVERALL CABLE DIAMETER 'A' | | LUG WIDTH* 'G' | ACROSS FLATS 'D' | ACROSS CORNERS 'D' | PROTRUSION LENGTH 'F' | CABLE GLAND WEIGHT (kgs) |
|---|-------|-----------------|-----------------------------|----------------------------|---------------------------|----------------------------|------|----------------|------------------|--------------------|-----------------------|--------------------------|
| SIZE | TYPE | ORDERING SUFFIX | METRIC | STANDARD THREAD LENGTH 'E' | **SHORT THREAD LENGTH 'E' | MIN | MAX | MAX | MAX | MAX | | |
| 2520 | A2-FL | IRAS01A | M12 | 15.0 | 8.0 | 5.0 | 8.0 | 8.0 | 36.0 | 39.6 | 37.0 | 0.17 |
| 2520 | A2-FL | IRAS01 | M16 | 15.0 | 8.0 | 5.0 | 9.5 | 9.5 | 36.0 | 39.6 | 37.0 | 0.16 |
| 2520 | A2-FL | IRAS02 | M20 | 15.0 | 8.0 | 5.0 | 14.0 | 14.0 | 36.0 | 39.6 | 37.0 | 0.15 |
| 2520 | A2-FL | IRAS5 | M25 | 15.0 | 8.0 | 5.0 | 14.0 | 20.0 | 36.0 | 39.6 | 37.0 | 0.15 |
| 3225 | A2-FL | IRAS03 | M25 | 15.0 | 9.0 | 12.0 | 20.0 | 20.0 | 41.0 | 45.1 | 37.0 | 0.18 |
| 3225 | A2-FL | IRAS5 | M32 | 15.0 | 9.0 | 12.0 | 20.0 | 27.5 | 41.0 | 45.1 | 37.0 | 0.17 |
| 4032S | A2-FL | IRAS04 | M32 | 15.0 | 9.0 | 15.0 | 23.8 | 27.5 | 50.0 | 55.0 | 37.0 | 0.23 |
| 4032 | A2-FL | IRAS04 | M32 | 15.0 | 9.0 | 18.0 | 26.3 | 27.5 | 50.0 | 55.0 | 37.0 | 0.23 |
| 4032S | A2-FL | IRAS5 | M40 | 15.0 | 9.0 | 15.0 | 23.8 | 31.5 | 50.0 | 55.0 | 37.0 | 0.22 |
| 4032 | A2-FL | IRAS5 | M40 | 15.0 | 9.0 | 18.0 | 26.3 | 34.0 | 50.0 | 55.0 | 37.0 | 0.22 |
| 5040S | A2-FL | IRAS5 | M50 | 15.0 | 10.0 | 19.8 | 29.0 | 40.8 | 60.0 | 66.0 | 37.5 | 0.33 |
| 5040 | A2-FL | IRAS5 | M50 | 15.0 | 10.0 | 23.0 | 32.2 | 44.1 | 60.0 | 66.0 | 37.5 | 0.32 |
| 5040 | A2-FL | IRAS07 | M63 | 15.0 | 10.0 | 23.0 | 32.2 | 44.1 | 70.0 | 77.0 | 37.5 | 0.31 |
| 5040L | A2-FL | IRAS5 | M50 | 15.0 | 10.0 | 26.0 | 35.0 | 44.1 | 60.0 | 66.0 | 37.5 | 0.32 |
| 5040XL | A2-FL | IRAS5 | M50 | 15.0 | 10.0 | 32.5 | 40.0 | 44.1 | 60.0 | 66.0 | 37.5 | 0.32 |

Dimensions are displayed in millimetres unless otherwise stated

* Maximum cable lug to fit through bore of cable gland
 **For short thread lengths add the suffix '/S' after the 'IRAS'
 For alternate entry thread sizes, contact CMP.

PRODUCT SELECTION TABLE WITH ALTERNATIVE ENTRY THREADS

| COMBINED ORDERING REFERENCE (NICKEL PLATED BRASS, METRIC THREADS) | | | AVAILABLE ENTRY THREADS 'C' | | | OVERALL CABLE DIAMETER 'A' | | LUG WIDTH* 'G' | ACROSS FLATS 'D' | ACROSS CORNERS 'D' | PROTRUSION LENGTH 'F' | CABLE GLAND WEIGHT (kgs) |
|---|-------|-----------------|-----------------------------|----------------------------|---------------------------|----------------------------|------|----------------|------------------|--------------------|-----------------------|--------------------------|
| SIZE | TYPE | ORDERING SUFFIX | PG | STANDARD THREAD LENGTH 'E' | **SHORT THREAD LENGTH 'E' | MIN | MAX | MAX | MAX | MAX | | |
| 2520 | A2-FL | IRAS2S | PG21 | 15.0 | 8.0 | 5.0 | 14.0 | 20.0 | 36.0 | 39.6 | 37.0 | 0.16 |

Dimensions are displayed in millimetres unless otherwise stated

Dimensions listed are for metric cable glands only. Dimensions for alternative threads may vary, please see supplementary technical data sheet.